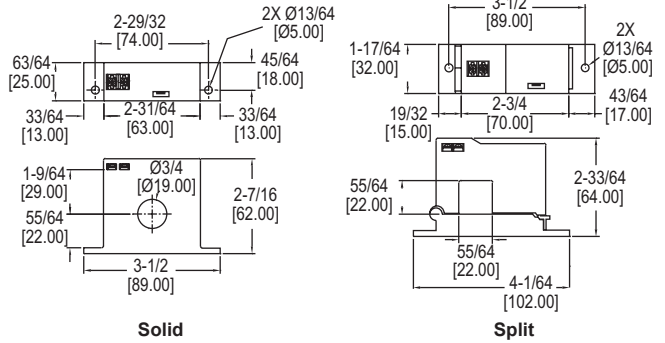


CURRENT TRANSFORMERS

Solid or Split Core, Field Selectable Range



The **Series CCT40/50 Current Transformers** are a low cost alternative for measuring power and monitoring the operation of fans, pumps, or other equipment. For use on existing installations, split core models can be installed without disconnecting cables. Each model offers three jumper selectable ranges and a choice of three different outputs.

FEATURES/BENEFITS

- Integral mounting flange for quick installation
- Solid core or split core configurations
- Jumper selectable range

APPLICATIONS

- BAS
- HVAC

Model	Range	Output	Power Requirements	Case
CCT40-202	10/20/50 A	0-5 V	Self-powered	Solid core
CCT50-202	100/150/200 A	0-5 V	Self-powered	Solid core
CCT40-102	10/20/50 A	0-5 V	Self-powered	Split core
CCT50-102	100/150/200 A	0-5 V	Self-powered	Split core
CCT40-203	10/20/50 A	0-10 V	Self-powered	Solid core
CCT50-203	100/150/200 A	0-10 V	Self-powered	Solid core
CCT40-200	10/20/50 A	4-20 mA	15 to 42 VDC, loop powered	Solid core
CCT50-200	100/150/200 A	4-20 mA	15 to 42 VDC, loop powered	Solid core
CCT40-100	10/20/50 A	4-20 mA	15 to 42 VDC, loop powered	Split core
CCT50-100	100/150/200 A	4-20 mA	15 to 42 VDC, loop powered	Split core

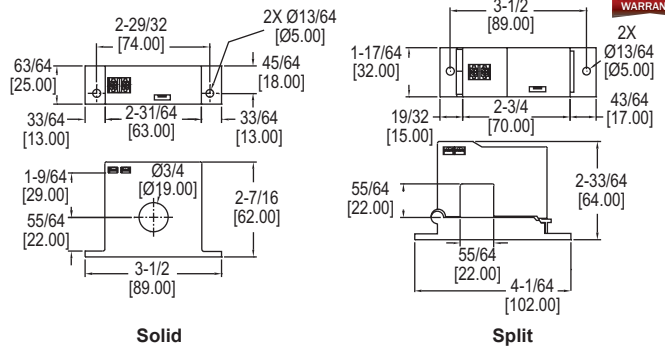
SPECIFICATIONS

Amperage Range: Field selectable; up to 200 A (depending on model).
Output: 0-5 V, 0-10 V, or 4-20 mA (depending on model).
Power Requirements: Self-powered or 15-42 VDC loop powered (depending on model).
Accuracy: 1%.
Temperature Limits: -22 to 158°F (-30 to 70°C).
Humidity Limits: 0 to 95% (non-condensing).
Response Time: 250 ms to 90%.
Isolation Voltage: 2000 V.
Frequency: 10 to 400 Hz.
Enclosure Rating: UL 94 V-0 flammability rated, ABS plastic housing.
Agency Approvals: CE, cULus.



TRUE RMS CURRENT TRANSFORMERS

Solid or Split Core, Field Selectable Range



The **Series CCT60/70 True RMS Current Transformers** are a low cost alternative for providing true RMS outputs on distorted AC waveforms. True RMS outputs are ideal for nonlinear loads or noisy circuits. For existing installations, split core models can be installed without disconnecting cables. Each model offers three jumper selectable ranges to reduce the risk of ordering the wrong model.

FEATURES/BENEFITS

- Integral mounting flange for quick installation
- Solid core or split core configurations
- Jumper selectable range
- True RMS

APPLICATIONS

- BAS
- HVAC

Model	Range	Case
CCT60-200	10/20/50 A	Solid core
CCT70-200	100/150/200 A	Solid core
CCT60-100	10/20/50 A	Split core
CCT70-100	100/150/200 A	Split core

SPECIFICATIONS

Amperage Range: Up to 200 A (depending on model).
Output: 4-20 mA, true RMS.
Power Requirements: 24 VDC nominal.
Accuracy: 1%.
Temperature Limits: -22 to 158°F (-30 to 70°C).
Humidity Limits: 0 to 95% (non-condensing).
Response Time: 250 ms to 90%.
Isolation Voltage: 2000 V.
Frequency: 10 to 400 Hz.
Enclosure Rating: UL 94 V-0 flammability rated, ABS plastic housing.
Agency Approvals: CE, cULus.

